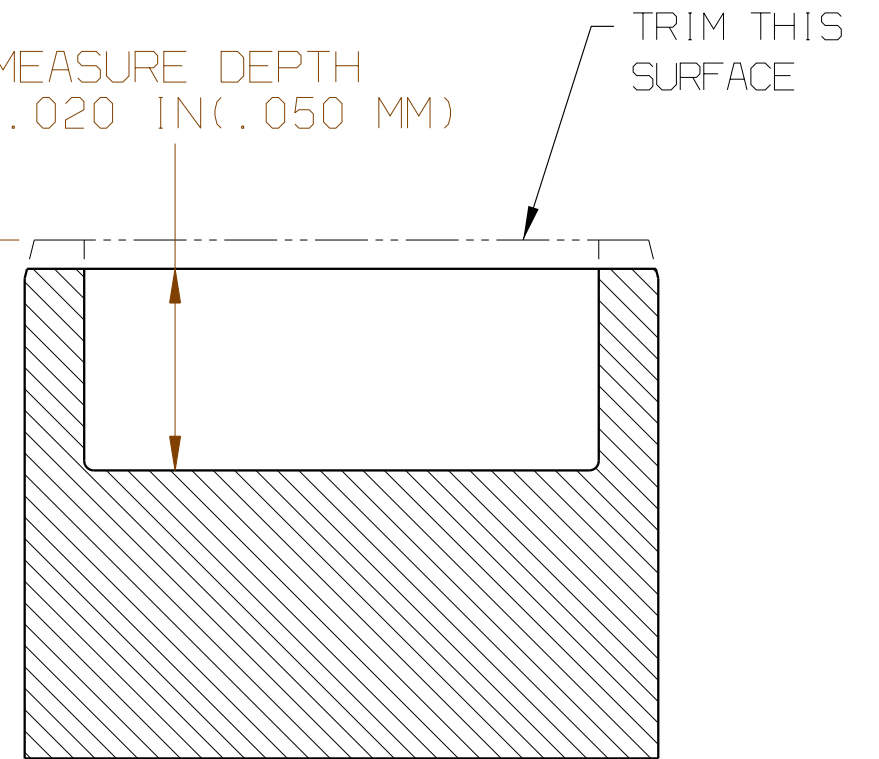


SECTION VIEW A-A
UN-MODIFIED

.02 IN
.50 MM

MEASURE DEPTH
'X' - .020 IN (.050 MM)



SECTION VIEW B-B
MODIFIED

The information, technical data, and the designs disclosed herein are the exclusive property of Ecthelion Engineering Inc. or contain proprietary rights of others and are not to be used or disclosed to others without the written consent of Ecthelion Engineering Inc. The recipient of this document, by its retention and use, agrees to hold in confidence the technical data and designs contained herein. The foregoing shall not apply to persons having proprietary rights to such information, technical data or designs to the extent that such rights exist.

DWN:	PETRABORG, T.	
DATE:	01/01/2008	
	SEE PL SHEET FOR PARTS LIST AND NOTES	
	UNLESS OTHERWISE SPECIFIED DIMENSIONS ARE IN INCHES	
LINEAR	.XX	±.03
	.XXX	±.010
TOLERANCES		
ANGULAR TOLERANCES	± 0° 30'	
ALL MACHINE SURFACE	125 $\sqrt{\hspace{1cm}}$	

Ecthelion
Engineering

51 Appletree Lane, Lopez Island, WA 98261

MODIFIED SHIM
FOR CT4VR RACE

PROJECT	SIZE	DWG NO.	REV:
MBP1	B	CT4VR-M	-
SCALE: NTS		SHEET: 1 OF 1	